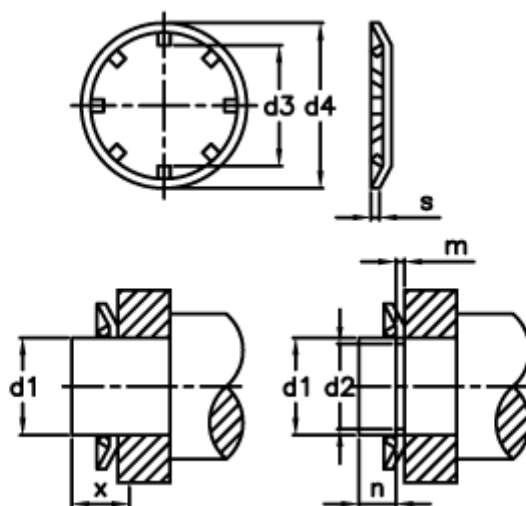


Article number: 0114010

Description: Circular self locking ring ZA 3

Measures



d1	= 3.0
d2	= 2.90
d3	= 2.80
d4	= 8.0
Description	= ZA 3,0
Holding force N	= 200
m min	= 0.4
Nominal drive	= 1.0

Number of serrations	= 4
s	= 0.25
tol	= -0.060
Weight kg/1000	= 0.066
x	= 1.5